



# CUSTOM CAPABILITIES

## BLANK SERIES

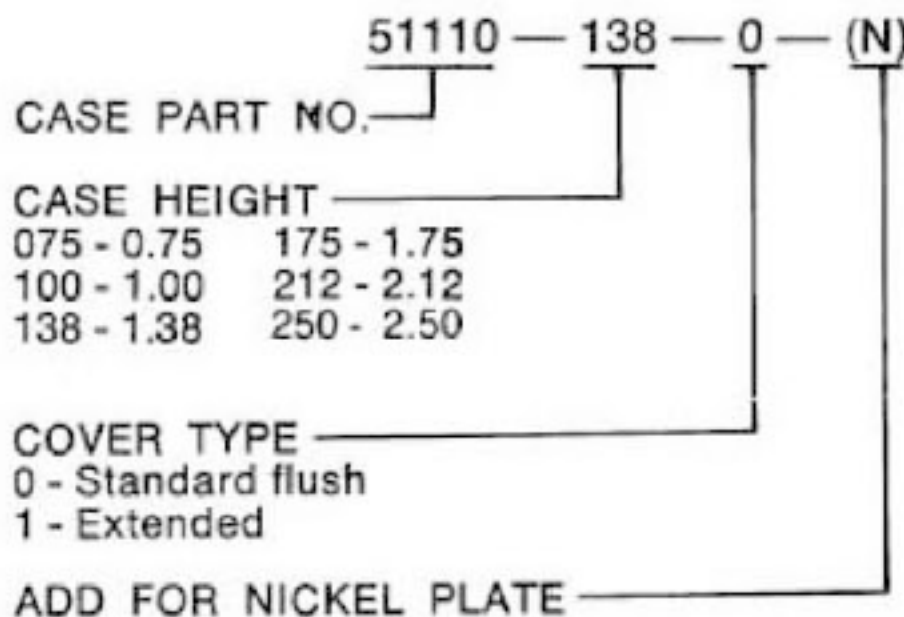


- Compac Blank Series Enclosures provide up to 100 dB shielding effectiveness at 100 MHz
- Easy access and assembly
- Off-the-shelf availability

### CONSTRUCTION SPECS

Frames: 6063T52 Extruded Aluminum  
 Covers: 5052-H32-Aluminum  
 Standard Finishes  
 Irridite Chemifilm per MIL C 5541  
 CL3 Conformance to MIL Spec 45208A

### HOW TO ORDER:



### CUSTOM HIGHLIGHT FROM COMPAC'S BLANK SERIES

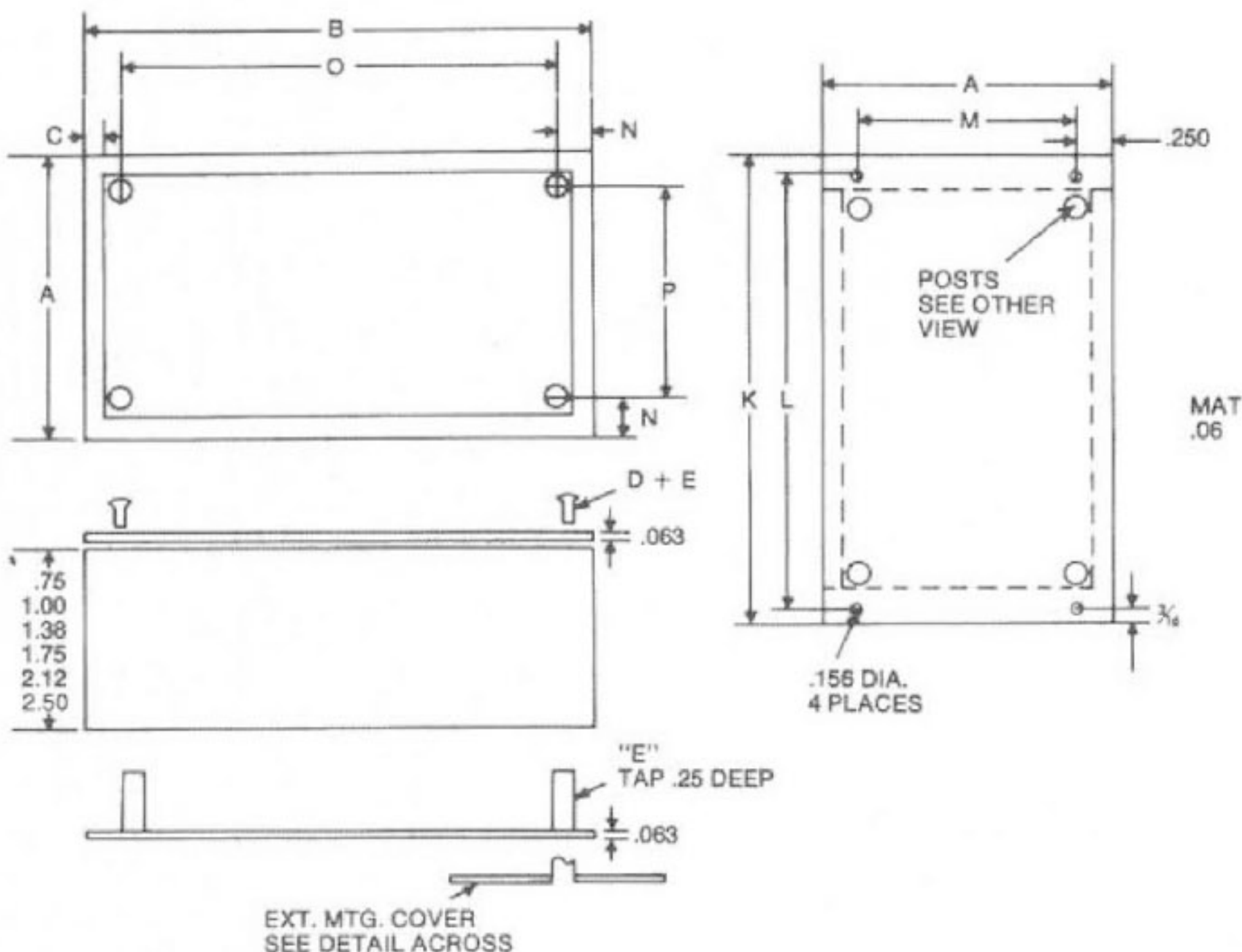
Compac will modify our Blank Series to meet your needs and specifications.

- Drilling
- Tapping
- Milling
- Punching
- Traps for Subminiature Connections
- Silk Screening/Painting

Work is done from your print to your specifications.

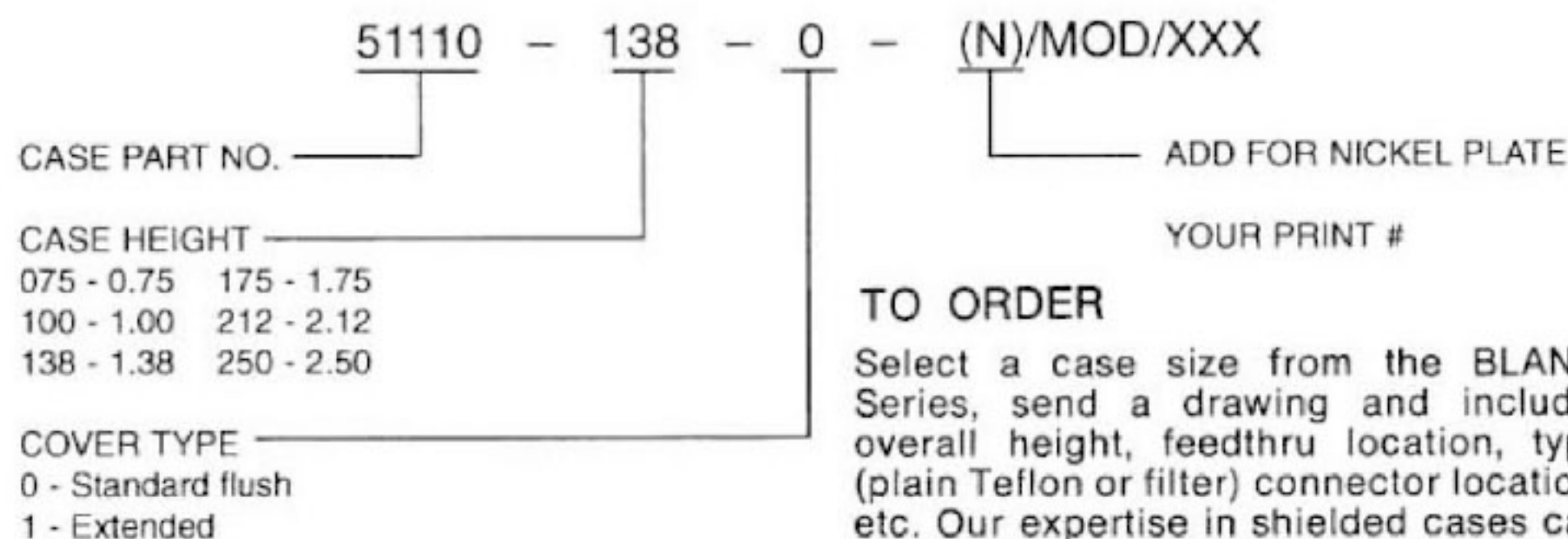
For your convenience Compac has included on page 7 a request for quote with a rendering of a Compac Case to depict your modifications.

**COMPAC**  
 1320-13 LINCOLN AVENUE  
 HOLBROOK, NEW YORK 11741  
 TELEPHONE (631) 585-3400  
 FAX (631) 585-3534  
 www.compac-rf.com



	A	B	C	D	E	K	L	M	N	O	P
51080	1.00	1.00	.125	2	4-40	1.75	1.375	.50	.250	.50	.50
51085	1.00	1.50	.125	2	4-40	2.25	1.875	.50	.250	.50	1.00
51088	1.00	2.00	.125	4	4-40	2.75	2.375	.50	.250	.50	1.50
51090	1.25	1.25	.125	2	4-40	2.00	1.625	.75	.250	.75	.75
51095	1.25	2.50	.125	4	4-40	3.25	2.875	.75	.250	2.00	.75
51097	1.25	3.00	.125	4	4-40	3.75	3.375	.75	.250	.75	2.50
51100	1.50	1.50	.125	2	4-40	2.25	1.875	1.00	.250	1.00	1.00
51110	1.50	2.00	.125	4	4-40	2.75	2.375	1.00	.250	1.50	1.00
51120	1.50	2.50	.125	4	6-32	3.25	2.875	1.00	.250	2.00	1.00
51125	1.50	3.25	.125	4	6-32	4.00	3.625	1.00	.250	2.75	1.00
51130	1.50	6.00	.125	4	6-32	6.75	6.375	1.00	.250	5.50	1.00
51140	1.75	1.75	.125	4	6-32	2.50	2.125	1.25	.250	1.25	1.25
51150	1.75	3.00	.125	4	6-32	3.75	3.375	1.25	.250	2.50	1.25
51155	1.75	4.00	.125	4	6-32	4.75	4.375	1.25	.250	1.25	3.50
51160	2.00	2.00	.125	4	6-32	2.75	2.375	1.50	.250	1.50	1.50
51170	2.00	3.00	.125	4	6-32	3.75	3.375	1.50	.250	2.50	1.50
51180	2.00	4.00	.125	4	6-32	4.75	4.375	1.50	.250	3.50	1.50
51190	2.00	5.00	.125	4	6-32	5.75	5.375	1.50	.250	4.50	1.50
51200	2.00	6.00	.125	4	6-32	6.75	6.375	1.50	.250	5.50	1.50
51205	2.50	2.50	.125	4	6-32	3.25	2.875	2.00	.250	2.00	2.00
51210	3.00	3.00	.125	4	6-32	3.75	3.375	2.50	.250	2.50	2.50
54030	3.00	4.00	.125	4	6-32	4.75	4.375	2.50	.250	3.50	2.50
51235	4.00	4.00	.125	4	6-32	4.75	4.375	3.50	.250	3.50	3.50
51220	3.00	5.00	.125	4	6-32	5.75	5.375	2.50	.250	4.50	2.50
51225	3.00	5.00	.188	4	6-32	5.75	5.375	2.50	.310	4.38	2.38
51230	3.00	6.00	.188	4	6-32	6.75	6.375	2.50	.310	5.38	2.38
51335	4.00	6.00	.125	4	6-32	6.75	6.375	3.50	.250	3.50	5.50
51250	5.00	6.00	.188	4	6-32	6.75	6.375	4.50	.310	5.38	4.38
57050	5.00	7.00	.188	4	6-32	7.75	7.375	4.50	.310	6.38	4.38
58060	6.00	8.00	.188	4	6-32	8.75	8.375	5.50	.310	7.38	5.38
58010	8.00	10.00	.187	4	6-32	10.75	10.375	7.50	.310	9.38	7.38
59012	9.00	12.00	.187	4	6-32	12.75	12.375	8.50	.310	8.50	11.50

Specifications subject to change without notice



### TO ORDER

Select a case size from the BLANK Series, send a drawing and include: overall height, feedthru location, type (plain Teflon or filter) connector location, etc. Our expertise in shielded cases can give you a truly CUSTOM design, limited only by your requirements.